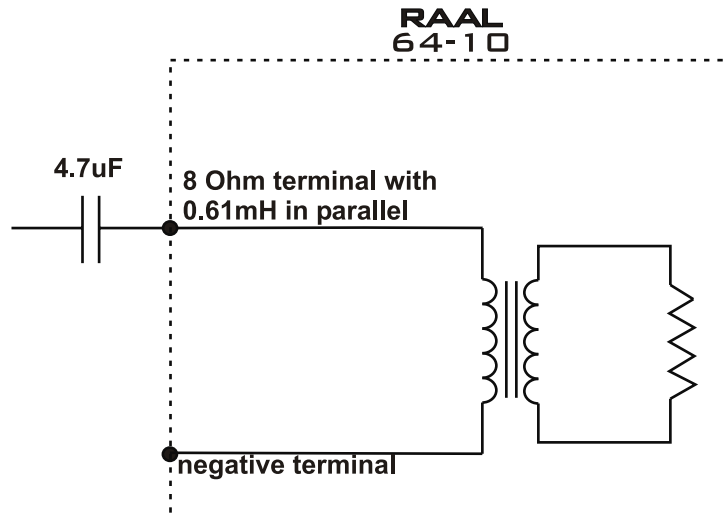


Crossover for RAAL 64-10



This tweeter needs a 2nd order electrical filter set to 3000Hz of Butterworth type.

It has built-in inductance with set value to achieve this with using only a capacitor in series.

Values are different for each terminal according to it's impedance value.

With tweeter's acoustical slope together, final resultant slope is 4th order of approx. Linkwitz-Riley type.

If attenuation is needed, please contact RAAL.