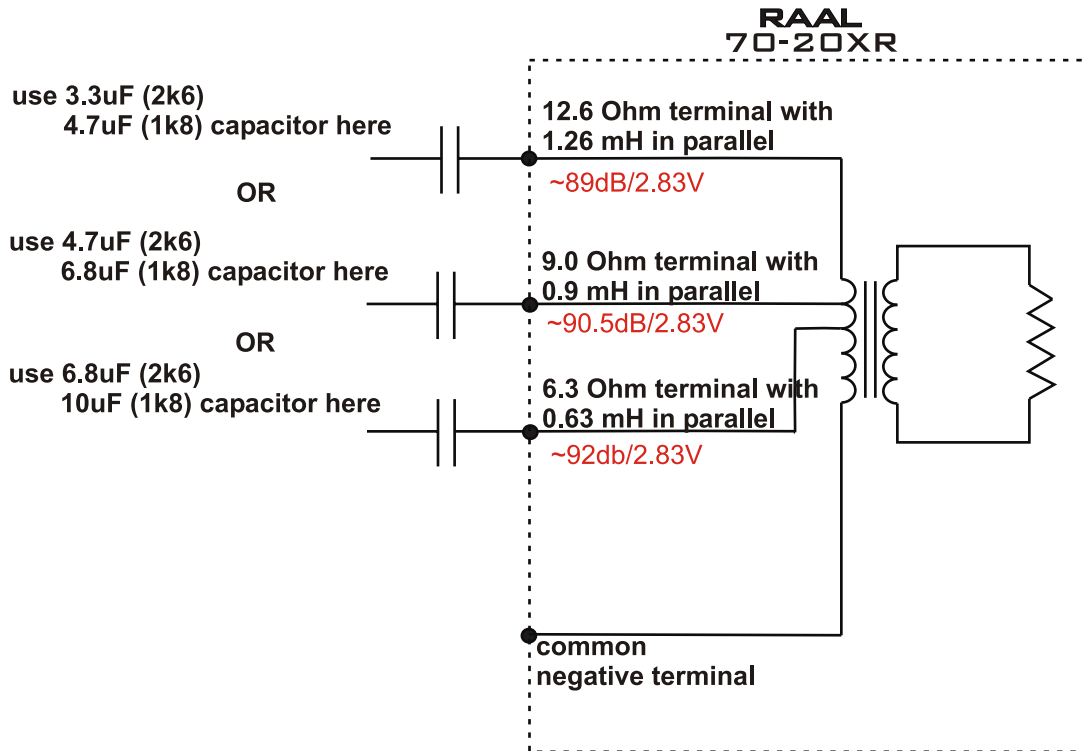


Crossover for RAAL 70-20XR



This tweeter has a built-in inductance with a set value.
It's impedance matching transformer is a part of the filter.

A 2nd order electrical filter is obtained by connecting a capacitor in series to any of the terminals.

Values of capacitors are different for each terminal according to it's impedance value.

With tweeter's acoustical slope together, the resultant response slope is of 4th order.

If attenuation on any terminal is needed, use a series resistor before the capacitor, of max. value of 20% of terminal's impedance.

If higher attenuation is needed, please contact RAAL.